



P8EBFY

Electronic (Touch Free) bottle filler + refrigerated Versacooler

PEBFY

Electronic (Touch Free) bottle filler + non-refrigerated Versacooler

HYDRATION STATION COMBO -

Versafiller - Electronic (Touch Free) VersaFiller Sports Bottle Filler



P8EBFY

Electronic (Touch Free) bottle filler + refrigerated Versacooler

PEBFY

Electronic (Touch Free) bottle filler + non-refrigerated Versacooler

Special Features

- Delivers 60 liters of chilled drinking water an hour
- Electronic VersaFiller bottle filler and barrier free VersaCooler II drinking fountain combo
- Built-in 100 micron strainer stops particles before they enter the waterway
- Waterways are lead-free in materials & construction
- Stainless steel top
- One piece, low flow, flexible bubbler guard
- Heavy duty galvanized steel frame
- Four push pad manual activation on water cooler
- External stream height adjustment on cooler
- Hands free bottle filler with programmable shut off timer
- Integrated bottle counter and filter monitor

Ideal for Schools, transportation depots, sport facilities and other commercial establishments



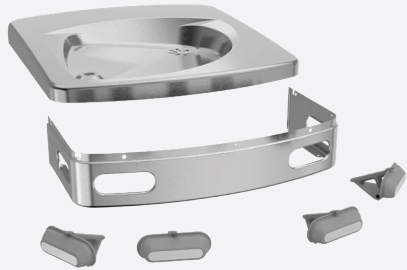
- Large bottle alcove, suitable for most large sports bottles.
- Programmable water flow timer, so you control your limit.
- LED filter status indicates when a filter change is necessary.
- Screen monitoring number of bottle fills.



MD-Cu₂₉
ANTIMICROBIAL COPPER



OASIS has the only EPA-registered, antimicrobial copper touch points for its comprehensive line of water coolers and fountains.



ANTIMICROBIAL COPPER punches holes in the membrane of bacteria at the cellular level, effectively destroying them. The popularity of copper surfaces to replace traditional touch surfaces in hospitals and other critical care industries is a testament to the natural anti-microbial effectiveness of copper!



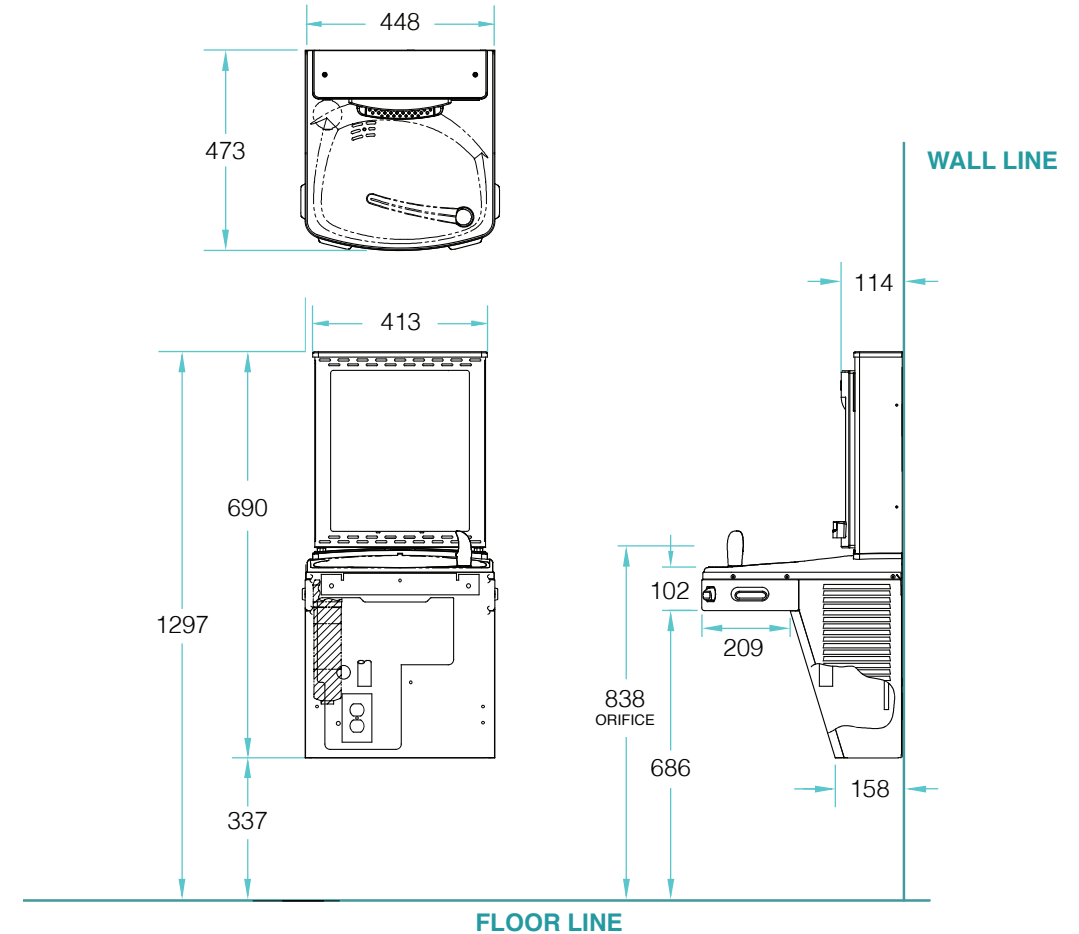
We manufacture our plastic components with **Freshield**[®], our exclusive silver-based antimicrobial compound. Like copper, the antimicrobial ability of silver has been known for thousands of years. We simply harness nature to make yours a safer hydration experience.

Freshield reduces the growth of micro-organisms and mildew to protect the surfaces from discoloration, odors and degradation.



DIMENSIONS

**All measurements in mm.*



By being ADA compliant, OASIS ensures that our products are accessible to people with disabilities.



TECH SPEC ■

Model	PEBFY	P8EBFY
Type	Electronic (Touch Free) bottle filler + non-refrigerated Versacooler	Electronic (Touch Free) bottle filler + refrigerated Versacooler
10° C Drinking Water/ 21° C Ambient Air Temp:		
Rated Capacity LPH		60
Base Rate LPH		60
Pre-Cooler	N/A	No
Hot'N Cold™ Model		No
220-240 Volts, 50/60HZ:		
Compr. HP		1/4
Full Load Amps	0,1	2,2
Rated Watts	7	457
Auto-Off Water Flow	Yes	Yes
Glass Filler ACC Option	-	
Cabinet Color Option	Yes	Yes
Net Wt. Approx (kg)	16	31

Ecofil

Unit D1, North City Business Park,
North Rd, D11
(01) 8081378

www.ecofil.ie

info@ecofil.ie